

Digital AM/FM Dual Alarm Clock Radio with Wood Cabinet



**MODEL: JCR-315
USER MANUAL**

**PLEASE READ THIS USER MANUAL COMPLETELY BEFORE OPERATING THIS UNIT
AND RETAIN THIS BOOKLET FOR FUTURE REFERENCE**

WARNING

TO PREVENT FIRE OR SHOCK HAZARD, DO NOT USE THIS PLUG WITH AN EXTENSION CORD, RECEPTACLE OR OTHER OUTLET UNLESS THE BLADES CAN BE FULLY INSERTED TO PREVENT BLADE EXPOSURE. TO PREVENT FIRE OR SHOCK HAZARD, DO NOT EXPOSE THIS APPLIANCE TO RAIN OR MOISTURE.



The lightning flash with arrowhead symbol, within an equilateral triangle is intended to alert the user to the presence of uninsulated dangerous voltage within the product enclosure that may be of sufficient magnitude to constitute a risk of electric shock to persons.

CAUTION

**RISK OF ELECTRIC SHOCK
DO NOT OPEN**

CAUTION TO REDUCE THE RISK OF ELECTRIC SHOCK, DO NOT REMOVE COVER (OR BACK). NO USER-SERVICEABLE PARTS INSIDE. REFER SERVICING TO QUALIFIED SERVICE PERSONNEL.



The exclamation point within an equilateral triangle is intended to alert the user to the presence of important operating and maintenance (servicing) instructions in the literature accompanying the appliance.

The Caution Marking is located at the back enclosure of the apparatus.
The Rating plate is located at the back enclosure of the apparatus.

IMPORTANT SAFETY INSTRUCTIONS

1. Read these instructions.
2. Keep these instructions.
3. Heed all warnings.
4. Follow all instructions.
5. Do not use this apparatus near water.
6. Clean only with dry cloth.
7. Do not block any ventilation openings. Install in accordance with the manufacturer's instructions.
8. Do not install near any heat sources such as radiators, heat registers, stoves, or other apparatus (including amplifiers) that product heat.
9. AC adaptor is used as disconnect device and it should remain readily operable during intended use. In order to disconnect the apparatus from the mains completely, the AC adaptor should be disconnected from the mains socket outlet completely.
10. Only use attachments/accessories specified by the manufacturer.
11. Use only with a cart, stand, tripod, bracket, or table recommended by the manufacturer, or sold with the product. When a cart is used, use caution when moving the cart/apparatus combination to avoid injury from tip-over.
12. Unplug this apparatus during lightning storms or when unused for a long period of time.
13. Refer all servicing to qualified service personnel. Servicing is required when the apparatus has been damaged in any way, such as power-supply cord or plug is damaged, liquid has been spilled or objects have fallen into the apparatus, the apparatus has been exposed to rain or moisture, does not operate normally, or has been dropped.
14. This appliance shall not be exposed to dripping or splashing water and that no object filled with liquids such as vases shall be placed on the apparatus.



15. Do not overload wall outlet. Use only power source as indicated.
16. Use replacement part as specified by the manufacturer.
17. Upon completion of any service or repairs to this product, ask the service technician to perform safety checks.
18. Power Sources - This product should be operated only from the type of power source indicated on the marking label. If you are not sure of the type of power supply to your home, consult your product dealer or local power company. For products intended to operate from battery power, or other sources, refer to the operating instruction.
19. Object and Liquid Entry - Never push objects of any kind into this product through openings as they may touch dangerous voltage points or short-out parts that could result in a fire or electric shock. Never spill liquid of any kind on the product.
20. Damage Requiring Service - Unplug this product from the wall outlet and refer servicing to qualified service personnel under the following conditions:
 - a) When the power-supply cord or plug is damaged,
 - b) If liquid has been spilled, or objects have fallen into the product,
 - c) If the product has been exposed to rain or water,
 - d) If the product does not operate normally by following the operating instructions. Adjust only those controls that are covered by the operating instructions as an improper adjustment of other controls may result in damage and will often require extensive work by a qualified technician to restore the product to its normal operation.
 - e) If the product has been dropped or damaged in any way, and
 - f) When the product exhibits a distinct change in performance - this indicates a need for service.
21. Battery shall not be exposed to excessive heat such as sunshine, fire or the like
22. Excessive sound pressure from earphones and headphone can cause hearing loss.
23. Minimum distances of 10 cm around the apparatus for sufficient ventilation.
24. The ventilation should not be impeded by covering the ventilation openings with items, such as newspapers, table-cloths, curtains, etc.
25. No naked flame sources, such as lighted candles, should be placed on the apparatus.
26. The use of apparatus in moderate climates.
27. Attention should be drawn to the environmental aspects of battery disposal.

SAVE THESE INSTRUCTIONS

COMPLIANCE WITH FCC REGULATIONS

This device complies with Part 15 of the FCC Rules. Operation is subject to the following two conditions:

- (1) This device may not cause harmful interference, and
- (2) This device must accept any interference received, including interference that may cause undesired operation.

This equipment has been tested and found to comply with the limits for a Class B Digital Device, pursuant to Part 15 of the FCC Rules. These limits are designed to provide reasonable protection against harmful interference in a residential installation. This equipment generates, uses and can radiate radio frequency energy and, if not installed and used in accordance with the instructions, may cause harmful interference to radio communications. However, there is no guarantee that interference will not occur in a particular installation. If this equipment does cause harmful interference to radio or television reception, which can be determined by turning the equipment off and on, the user is encouraged to try to correct the interference by one or more of the following measures:

- Reorient or relocate the receiving antenna.
- Increase the separation between the equipment and receiver.
- Connect the equipment into an outlet on a circuit different from that to which the receiver is connected.
- Consult the dealer or an experienced radio/TV technician for help.

WARNING

Changes or modifications to this unit not expressly approved by the party responsible for compliance could void the user's authority to operate the equipment.

PROTECT YOUR FURNITURE

This system is equipped with non-skid rubber 'feet' to prevent the product from moving when you operate the controls. These 'feet' are made from non-migrating rubber material specially formulated to avoid leaving any marks or stains on your furniture. However certain types of oil based furniture polishes, wood preservatives, or cleaning sprays may cause the rubber 'feet' to soften, and leave marks or a rubber residue on the furniture.

To prevent any damage to your furniture we strongly recommend that you purchase small self-adhesive felt pads, available at hardware stores and home improvement centers everywhere and apply these pads to the bottom of the rubber 'feet' before you place the product on fine wooden furniture.

DEAR JENSEN® CUSTOMER

Selecting fine audio equipment such as the unit you've just purchased is only the start of your musical enjoyment. Now it's time to consider how you can maximize the fun and excitement your equipment offers. This manufacturer and the Electronic Industries Association's Consumer Electronics Group want you to get the most out of your equipment by playing it at a safe level. One that lets the sound come through loud and clear without annoying blaring or distortion and, most importantly, without affecting your sensitive hearing. Sound can be deceiving. Over time your hearing "comfort level" adapts to higher volumes of sound. So what sounds "normal" can actually be loud and harmful to your hearing. Guard against this by setting your equipment at a safe level BEFORE your hearing adapts.

To establish a safe level:

- Start your volume control at a low setting.
- Slowly increase the sound until you can hear it comfortably and clearly, and without distortion.
- Once you have established a comfortable sound level: Set the dial and leave it there. Taking a minute to do this now will help to prevent hearing damage or loss in the future. After all, we want you listening for a lifetime.

We Want You Listening For a Lifetime

Used wisely, your new sound equipment will provide a lifetime of fun and enjoyment. Since hearing damage from loud noise is often undetectable until it is too late, this manufacturer and the Electronic Industries Association's Consumer Electronics Group recommend you avoid prolonged exposure to excessive noise.



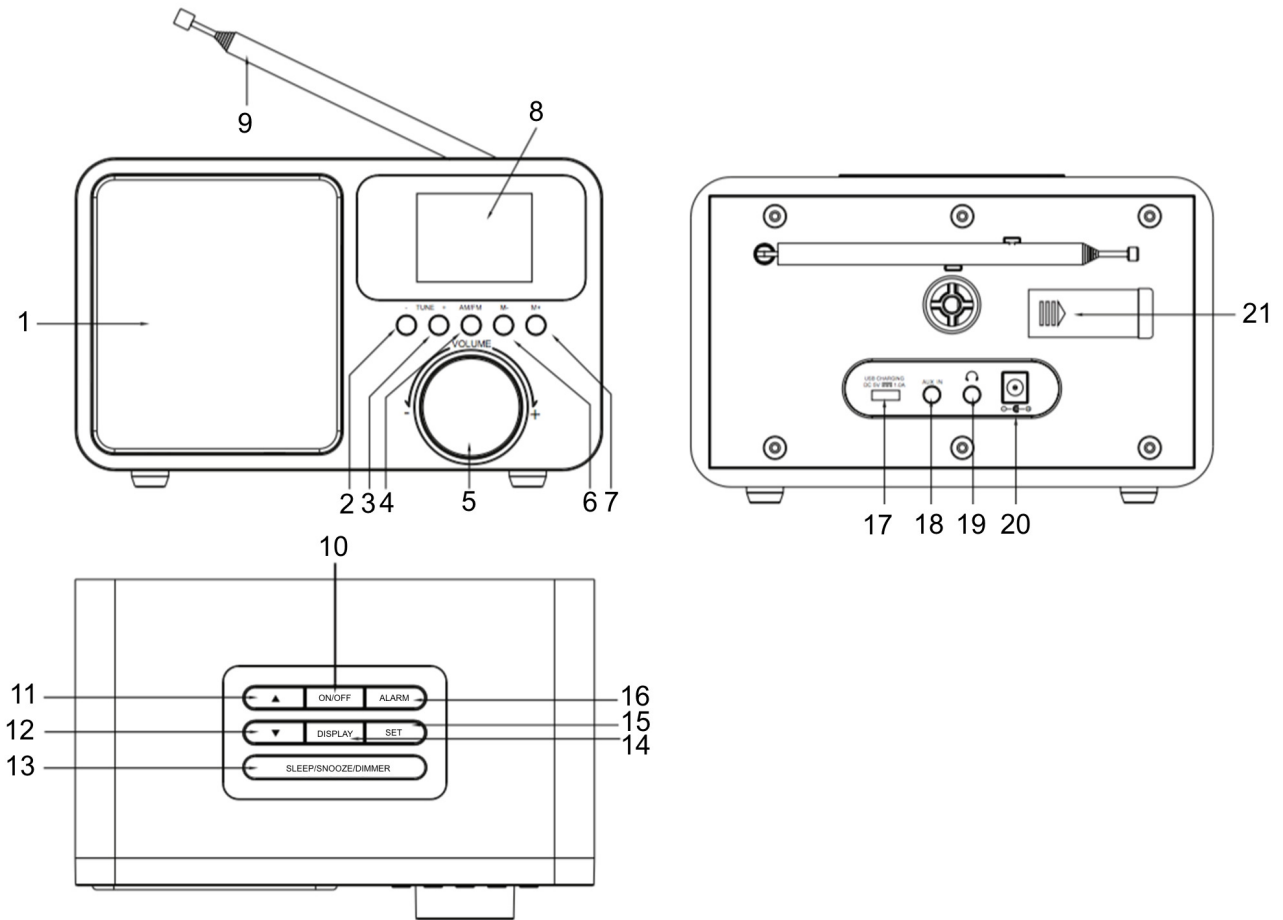
Customer's Record:

The serial number of this product is found on its bottom cover. You should note the serial number of this unit in the space provided as a permanent record of your purchase to aid in identification in the event of theft or loss.

Model Number: JCR-315

Serial Number:

LOCATION OF CONTROLS



1	SPEAKER	12	TIME/ALARM SET DOWN BUTTON
2	TUNE BUTTON -	13	SLEEP/SNOOZE/DIMMER BUTTON
3	TUNE BUTTON +	14	DISPLAY BUTTON
4	AM/FM BUTTON	15	SET BUTTON
5	VOLUME CONTROL	16	ALARM BUTTON
6	M - (MEMORY DOWN BUTTON)	17	USB CHARGING PORT
7	M + (MEMORY UP BUTTON)	18	AUX IN JACK
8	LCD DISPLAY	19	EARPHONE JACK
9	TELESCOPIC FM ANTENNA	20	DC IN JACK
10	ON/OFF BUTTON	21	BATTERY COMPARTMENT
11	TIME/ALARM SET UP BUTTON		

POWER SOURCE

The JCR-315 operates with an external AC-DC adaptor with output DC 5V $\overline{\text{---}}$ 1200mA $\ominus\text{---}\oplus$.

The unit is also equipped with a battery back-up system for the clock that is powered by 2 x AAA size batteries (Not included).

POWER CONNECTION

1. Connect the cord of the power adaptor to the DC IN JACK (#20) of the JCR-315.
2. Connect the plug of the power adaptor to a wall socket.
The JCR-315 is powered and in standby mode when you see the LCD DISPLAY (#8) is switched on.

BATTERY BACK-UP SYSTEM

The Battery Back-up System ensures the clock and alarm settings will be retained during a power interruption or power outage [in order to preserve the battery life, the LCD DISPLAY (#8) will not light]. All clock settings will be kept in memory, however, the clock time may require adjustment for exact accuracy once the power returns. If the batteries are not installed, the LCD DISPLAY (#8) will blink "12:00" when the power is restored. This will indicate that you have to reset the time and alarm settings.

BATTERY INSTALLATION

1. Open the battery door on the back of the cabinet.
2. Follow the polarity diagram shown inside the BATTERY COMPARTMENT (#21) and Install 2 X "AAA" size batteries (not included).
3. Replace the battery door.

IMPORTANT: Be sure that the batteries are installed correctly. Wrong polarity may damage the unit.

NOTE: Only use a well-known brand of battery to ensure longest life and the best performance.

CAUTIONS:

1. Do not mix old and new batteries.
2. Do not mix alkaline, standard (carbon-zinc) or rechargeable (nickel-cadmium) batteries.
3. If the unit is not to be used for an extended period of time, remove the batteries. Old or leaking batteries can cause damage to the unit and may void the warranty.
4. Do not dispose of batteries in fire, batteries may explode or leak.
5. Batteries shall not be exposed to excessive heat such as sunshine, fire or the like.
6. Replace all the batteries at the same time, no matter exhausted or not, every 2 years at the same time to avoid possible battery leakage.
7. Do not try to recharge batteries not intended to be recharged; they can overheat, rupture and leak. (Follow battery manufacturer's directions).
8. Only an adult should replace the batteries.

TIME AND CALENDAR SETTING

In order for the clock to function properly, the clock has to be set before you use it for the first time. After powering up the JCR-315, the LCD is in time display mode and show 12:00.

1. Press the SET BUTTON (#15), minute digits will blink.
2. Tap the TIME/ALARM SET UP BUTTON (#11) or TIME/ALARM SET DOWN BUTTON (#12) repeatedly until the correct minute is displayed.
3. Tap the SET BUTTON (#15) to confirm. The hour digits will blink.
4. Tap the TIME/ALARM SET UP BUTTON (#11) or TIME/ALARM SET DOWN BUTTON (#12) repeatedly until the correct hour is displayed.
5. Tap the SET BUTTON (#15) to confirm. 12Hr will blink.
6. Tap the TIME/ALARM SET UP BUTTON (#11) or TIME/ALARM SET DOWN BUTTON (#12) repeatedly to select 12Hr or 24Hr.
7. Tap the SET BUTTON (#15) to confirm and complete the time setting.

CALENDAR SETTING

1. Tap the DISPLAY BUTTON (#14) repeatedly to select calendar display mode.
2. Tap the SET BUTTON (#15), the date digits will blink.
3. Tap the TIME/ALARM SET UP BUTTON (#11) or TIME/ALARM SET DOWN BUTTON (#12) repeatedly until the correct date is displayed.
4. Tap the SET BUTTON (#15) to confirm. The month digits will blink.
5. Tap the TIME/ALARM SET UP BUTTON (#11) or TIME/ALARM SET DOWN BUTTON (#12) repeatedly until the correct month is displayed.
6. Tap the SET BUTTON (#15) to confirm. The last two digits of the year will blink.
7. Tap the TIME/ALARM SET UP BUTTON (#11) or TIME/ALARM SET DOWN BUTTON (#12) repeatedly until the correct year is displayed.
8. Tap the SET BUTTON (#15) to confirm and complete the time setting.

Notes:

- Press and hold the TIME/ALARM SET UP BUTTON (#11) or TIME/ALARM SET DOWN BUTTON (#12), the setting digit will go fast forward/backward.
- The unit will return to clock display mode automatically if no button is pressed within 15 seconds.

ALARM OPERATION

SETTING THE ALARM TIME

You can set two different alarm times and select wake to RADIO / ALARM sound.

1. Press the ALARM BUTTON (#16) repeatedly to select Alarm1 or Alarm2.
2. Tap the SET BUTTON (#15), the minute digits flash.
3. Tap the TIME/ALARM SET UP BUTTON (#11) or TIME/ALARM SET DOWN BUTTON (#12) repeatedly to set the minute.
4. Tap the SET button (#15), the hour digits flash.
5. Tap the TIME/ALARM SET UP BUTTON (#11) or TIME/ALARM SET DOWN BUTTON (#12) repeatedly to set the hour.
6. Tap the SET BUTTON (#15) to confirm.
7. Tap the TIME/ALARM SET UP BUTTON (#11) or TIME/ALARM SET DOWN BUTTON (#12) repeatedly to select wake to alarm, radio or off.

Notes:

- Once the alarm is set and wake to radio is selected, the wake to preset radio station can be changed.
Repeat above steps 1, 2, 4 and 6, the radio frequency will flash on the LCD DISPLAY (#8). Tap the TIME/ALARM SET UP BUTTON (#11) or TIME/ALARM SET DOWN BUTTON (#12) repeatedly to select the stored preset radio station. Tap the SET BUTTON (#15) to confirm.
- IF Alarm 1 and Alarm 2 set at same time, only Alarm 1 will function.

Deactivating a sounding alarm

During the alarm sound, press any buttons on the top except the SLEEP/SNOOZE/DIMMER BUTTON (#13) to turn off the alarm. The alarm will resume after 24 hours (the next day).

SNOOZE FUNCTION

After the radio or alarm sounds, you may press the SNOOZE/SLEEP/DIMMER BUTTON (#13) for a few more minutes sleep. The alarm will stop for approximately 9 minutes and then turn on again.

RADIO OPERATION

Listening to the radio

1. Tap the ON/OFF BUTTON (#10) to turn on the JCR-315.
2. Tap the AM/FM BUTTON (#4) to select the AM/FM band. The frequency will show on the LCD DISPLAY (#8).
3. Tap the TUNE BUTTON + (#3) or the TUNE BUTTON - (#2) to adjust frequency.
4. Press and hold the TUNE BUTTON + (#3) or the TUNE BUTTON - (#2) to automatically tune to the next available station.
5. Rotate the VOLUME CONTROL (#5) to obtain the desired sound level.
6. Tap the ON/OFF BUTTON (#10) to turn off the JCR-315.

Notes:

- Use manual tuning to select weaker stations that might be skipped during automatic tuning.
- If the automatic tuning does not stop on the exact frequency of the station, for example, it stops on 88.9 MHz instead of 88.8 MHz, use the manual tuning method to “fine tune” to the exact frequency of the desired station.
- To insure maximum FM tuner reception, fully extend the TELESCOPIC FM ANTENNA (#9) for best FM radio reception.
- The AM antenna is built inside the radio. If AM reception is weak, change the position of the unit until the internal antenna picks up the strongest signal.

Setting the Radio Station Presets

The unit allows you to store up to 20 FM stations and 20 AM stations for easy recall at any time.

1. Tap the ON/OFF BUTTON (#10) to turn on the JCR-315 and select AM/FM band.
2. Tune to the radio station you want to store in memory.
3. Tap the SET BUTTON (#15). The preset channel number will blink on LCD DISPLAY (#8).
4. To change the preset channel number location, press the M + (MEMORY UP BUTTON) (#7) or the M - (MEMORY DOWN BUTTON) (#6) to step through the preset locations (1-20).
5. To confirm the preset location, tap the SET BUTTON (#15).
6. To store up to 20 station presets, repeat steps 2-5 above.

Hints

This unit features an AUTO SEARCH function that will automatically save the first 20 AM and 20 FM strong stations found. To use this feature, make sure the unit is in Radio mode, and select the FM or AM band. Press and hold the SET BUTTON (#15). The unit will scan from the lowest frequency to the highest frequency within the selected frequency band. The first strong radio stations found will be stored in the preset locations starting from 1.

Recall Preset Station

Tap the ON/OFF BUTTON (#10) to turn on the JCR-315 and select AM/FM Mode. Tap the M + (MEMORY UP BUTTON) (#7) or the M - (MEMORY DOWN BUTTON) (#6) to select the preset station.

TIPS FOR BEST RADIO RECEPTION

AM - The AM antenna is built inside the radio. If AM reception is weak, change the position of the unit until the internal antenna picks up the strongest signal

FM – To obtain the best FM reception, fully extend the TELESCOPIC FM ANTENNA (#9).
Avoid close to the speakers or other electrical appliance.

SLEEP OPERATION

This function allows you to program the system to turn itself OFF after a set period of time. You can set your sleep time while in Power On (Radio or AUX) mode:

1. To activate the sleep function, press the SLEEP/SNOOZE/DIMMER BUTTON (#13) repeatedly on the unit, the LCD DISPLAY (#8) will show “90, 80, 70, 60, 50, 40, 30, 20, 10, OFF in sequence.
2. When the LCD DISPLAY (#8) shows your desired sleep time, release the button, the sleep timer is now activated, the SLEEP Indicator will Turn On. The LCD DISPLAY (#8) show “10” is to indicate “10 minutes” sleep time and so on. When the sleep time counts to zero, the unit will go off.

AUX IN OPERATION

The JCR-315 provides an auxiliary audio signal input jack for connecting external audio devices like MP3 players, CD players and iPods (except iPod shuffle 3rd generation) and listen to your external source through the speaker of this system.

1. You need an audio cable (not included) with one 3.5 mm stereo plug on each end of the cable.
2. Plug one end of the cable into the AUX IN jack (#18) located on the right hand side of the unit and the other end of the cable into the Line-out Jack or Headphone Jack of your external audio device.
3. Turn on the external audio device.
4. Turn on JCR-315 and it will switch to AUX mode automatically.
5. The volume level can now be controlled through the volume control of your radio. Operate all other functions on the auxiliary device as usual.

Notes:

- (1) If you connected the Line-out Jack of your external device then you only need to adjust the volume control of this system. If you connected the Headphone Jack of your external device then you may need to adjust both the volume control of your external device and the volume control of this system to find the most desirable volume setting.
- (2) Remove the audio cable from AUX IN JACK (#18) when you finish listening. Don't forget to switch off the power on your external device as well.

EARPHONE CONNECTION

Connect the plug of the stereo earphone (not included) into the EARPHONE JACK (#19). When using earphone, the speaker will be automatically disconnected. Adjust the VOLUME CONTROL (#5) to the desired volume level

CAUTION

- Avoid excessive volume levels for long period of time when using the earphone. Prolonged use at high levels may impair your hearing.

DIMMER CONTROL

Press and hold the SLEEP/SNOOZE/DIMMER BUTTON (#13), Hi, Low or Off will show on the LCD DISPLAY (#8). Tap the SLEEP/SNOOZE/DIMMER BUTTON (#13) repeatedly to select the brightness. The current Dimmer Selection will show for a few seconds and then return to the previous screen.

USB BATTERY CHARGING

CONNECTING A USB CORD (NOT INCLUDED) FOR CHARGING YOUR CELL PHONE (DC 5V === 1000MA)

1. Plug the standard end of the USB cable (not included) into the USB CHARGING PORT (#17) located on the back of the JCR-315. Plug the other end of the cable into the device you wish to charge.
2. Observe the battery charge indicator on your device to make sure the charging process starts normally.
3. Unplug the cable when your device is fully charged.

WARNING!

- The USB CHARGING PORT (#17) located on the back of the JCR-315 is designed for a smart phone or portable device battery charging only and does not support data transfer or connection to a computer.
- Don't connect the USB CHARGING PORT (#17) of the JCR-315 to other USB charger. It may damage both units and void the warranty.

RESETTING THE UNIT

In case of malfunction due to electrostatic discharge, reset the unit by disconnecting the DC plug of the AC Adapter from its rear DC IN JACK (#20). Remove the backup batteries. Wait at least for 3 minutes before reconnecting the DC plug to the DC IN JACK (#20) and replace the backup batteries.

CARE AND MAINTENANCE

- Clean the radio with a soft damp cloth and let all parts dry completely after cleaning.
- Do not use any aggressive cleaners, brushes with nylon bristles, sharp or metallic cleaning utensils, knives, hard scrapers and the like. They could damage the surfaces of the radio.
- Do not immerse the radio in water and do not let water getting into the housing of the radio.
- Unplug the power adaptor and clean the radio before storage.
- Always store the radio in a dry and clean place.

SPECIFICATION

Power: AC Adaptor:
 Input: AC 100-240V ~
 Output: DC 5V == 1200mA
 Backup battery: 2 x 1.5V AAA batteries (not included)

USB Charging: DC 5V == 1000mA

Frequency Range: FM 87 – 108 MHz
 AM 520 – 1710 KHz

TROUBLESHOOTING GUIDE

If you experience difficulties in the use of this clock radio, please check the following or call 1-800-777-5331 for Customer Service and support.

SYMPTOM	POSSIBLE CAUSE	POSSIBLE SOLUTION
Power does not come on	Power adaptor connect unstable	Reconnect adaptor
No sound	VOLUME control at minimum position.	Increase Volume
Noise or sound distorted FM	- Station is not tuned properly - Antenna is not extended	- Retune the Broadcast station - Fully extend the antenna
USB no charging function	USB cable defective	Try reconnecting the USB cable or replace the USB cable



At Spectra, environmental and social responsibility is a core value of our business. We are dedicated to continuous implementation of responsible initiatives with an aim to conserve and maintain the environment through responsible recycling.

Please visit us at <http://www.spectraintl.com/green.htm> for more information on Spectra's green initiatives or to find a recycler in your area.

90 DAY LIMITED WARRANTY AND SERVICE VALID IN THE U.S.A. ONLY

SPECTRA MERCHANDISING INTERNATIONAL, INC. warrants this unit to be free from defective materials or factory workmanship for a period of 90 days from the date of original customer purchase and provided the product is utilized within the U.S.A. This warranty is not assignable or transferable. Our obligation under this warranty is the repair or replacement of the defective unit or any part thereof, except batteries, when it is returned to the SPECTRA Service Department, accompanied by proof of the date of original consumer purchase, such as a duplicate copy of a sales receipt.

You must pay all shipping charges required to ship the product to SPECTRA for warranty service. If the product is repaired or replaced under warranty, the return charges will be at SPECTRA's expense. There are no other express warranties other than those stated herein.

This warranty is valid only in accordance with the conditions set forth below:

1. The warranty applies to the SPECTRA product only while:
 - a. It remains in the possession of the original purchaser and proof of purchase is demonstrated.
 - b. It has not been subjected to accident, misuse, abuse, improper service, usage outside the descriptions and warnings covered within the user manual or non-SPECTRA approved modifications.
 - c. Claims are made within the warranty period.
2. This warranty does not cover damage or equipment failure caused by electrical wiring not in compliance with electrical codes or SPECTRA user manual specifications, or failure to provide reasonable care and necessary maintenance as outlined in the user manual.
3. Warranty of all SPECTRA products applies to residential use only and is void when products are used in nonresidential environment or installed outside the United States.

This warranty gives you specific legal rights, and you may also have other rights which vary from state to state. TO OBTAIN SERVICE please remove all batteries (if any) and pack the unit carefully and send it freight prepaid to SPECTRA at the address shown below. IF THE UNIT IS RETURNED WITHIN THE WARRANTY PERIOD shown above, please include a proof of purchase (dated cash register receipt) so that we may establish your eligibility for warranty service and repair of the unit without cost. Also include a note with a description explaining how the unit is defective. A customer service representative may need to contact you regarding the status of your repair, so please include your name, address, phone number and email address to expedite the process.

IF THE UNIT IS OUTSIDE THE WARRANTY PERIOD, please include a check for **\$20.00** to cover the cost of repair, handling and return postage. All out of warranty returns must be sent prepaid.

It is recommended that you contact SPECTRA first at 1-800-777-5331 or by email at custserv@spectraintl.com for updated information on the unit requiring service. In some cases, the model you have may be discontinued, and SPECTRA reserves the right to offer alternative options for repair or replacement.

SPECTRA MERCHANDISING INTERNATIONAL, INC.

4230 North Normandy Avenue,
Chicago, IL60634, USA. 1-800-777-5331

To register your product, visit the link on the website below to enter your information.
<http://www.spectraintl.com/wform.htm>

0118

Printed in China