

SPECIFICATIONS

Power Requirement

Battery operation :	4 x 1.5V "C" (UM-2) Batteries or
DC input :	DC 8V, 1000mA
Battery back up for clock :	1 x 1.5V(G13)Button Cell

Frequency Range

Radio :	AM 530 -1710 kHz
	FM 88 -108Mhz

SERVICE

Please refer to the instructions on the enclosed warranty card for returning your unit for service. When returning the unit, please remove batteries to prevent damage to the unit in transit and/or from possible leakage. We are not responsible for batteries returned with the product or for the cost of replacement.

Distributed by:
SPECTRA Merchandising International, Inc.
Chicago Industry Tech Park
4230 North Normandy Avenue
Chicago, IL 60634, U.S.A.

Please have model number ready, for Customer Service, call 1-800-777-5331.

The specification and external appearance of the set are subject to change without prior notice.

JENSEN®

DOCKING AM/FM SHOWER RADIO WITH LCD CLOCK For iPod®



OWNER'S MANUAL

JiSS-85

(iPod® Not Included)

PLEASE READ THIS OPERATING MANUAL COMPLETELY BEFORE OPERATING THIS UNIT AND RETAIN THIS BOOKLET FOR FUTURE REFERENCE.

DEAR JENSEN® CUSTOMER 3
 IMPORTANT SAFETY INSTRUCTIONS 4
 COMPLIANCE WITH FCC REGULATIONS 5
 PRODUCT FEATURES 6
 INSTALLATION 6-7
 LOCATION OF CONTROLS 8
 RADIO OPERATIONS 9
 iPod® DOCKING 9
 AUXILIARY INPUT 10
 CLOCK SETTINGS 10
 CARE AND MAINTENANCE 10
 TROUBLESHOOTING GUIDE 11
 SPECIFICATIONS 12
 SERVICE 12

Selecting fine audio equipment such as the unit you've just purchased is only the start of your musical enjoyment. Now it's time to consider how you can maximize the fun and excitement your equipment offers. This manufacturer and the Electronic Industries Association's Consumer Electronics Group want you to get the most out of your equipment by playing it at a safe level. One that lets the sound come through loud and clear without annoying blaring or distortion and, most importantly, without affecting your sensitive hearing. Sound can be deceiving. Over time your hearing "comfort level" adapts to higher volumes of sound. So what sounds "normal" can actually be loud and harmful to your hearing. Guard against this by setting your equipment at a safe level BEFORE your hearing adapts.

To establish a safe level:

- Start your volume control at a low setting.
- Slowly increase the sound until you can hear it comfortably and clearly, and without distortion.

Once you have established a comfortable sound level:

- Set the dial and leave it there.

Taking a minute to do this now will help to prevent hearing damage or loss in the future. After all, we want you listening for a lifetime.

We Want You Listening For a Lifetime

Used wisely, your new sound equipment will provide a lifetime of fun and enjoyment. Since hearing damage from loud noise is often undetectable until it is too late, this manufacturer and the Electronic Industries Association's Consumer Electronics Group recommend you avoid prolonged exposure to excessive noise.

Customer's Record:

The serial number of this product is found on its bottom cover. You should note the serial number of this unit in the space provided as a permanent record of your purchase to aid in identification in the event of theft of loss.

Model Number: JiSS-85

Serial Number: _____

IMPORTANT SAFETY INSTRUCTIONS

THE IMPORTANT SAFETY INSTRUCTIONS SHALL INCLUDE, AS APPLICABLE TO THE APPLIANCE, STATEMENTS THAT CONVEY TO THE USER THE INFORMATION ITEMIZED IN THIS PARAGRAPH:

1. Read these instructions - All the safety and operating instructions should be read before the appliance is operated
2. Keep these instructions - The safety and operating instructions should be kept for future reference.
3. Heed all warnings - All warnings on the appliance and in the operating instructions should be adhered to.
4. Follow all instructions - All operation and use instructions should be followed.
5. Clean only with dry cloth - The appliance should be cleaned only as recommended by the manufacturer.
6. Do not block any ventilation openings. Install in accordance with the manufacturer's instructions. - The appliance should be situated so that its location or position does not interfere with its proper ventilation. For example, the appliance should not be situated on a bed, sofa, rug, or similar surface that may block the ventilation openings; or placed in a built-in installation, such as a bookcase or cabinet that may impede the flow of air through the ventilation openings.
7. Do not install near any heat sources such as radiators, heat registers, stoves or other apparatus (including amplifiers) that produce heat.
8. Do not defeat the safety purpose of the polarized or grounding-type plug. A polarized plug has two blades with one wider than the other. A grounding type has two blades and a third grounding prong. The wide blade or the third prong are provided for your safety. If the provided plug does not fit into your outlet, consult an electrician for replacement of the obsolete outlet.
9. Only use attachments / accessories specified by the manufacturer
10. Use only with the cart, stand, tripod, bracket, or table specified by the manufacturer, or sold with the apparatus. When a cart is used, use caution when moving the cart/apparatus combination to avoid injury from tip-over.
11. Unplug this apparatus during lightning storms or when unused for a long periods of time.
12. Power Sources - The appliance should be connected to a power supply only of the type described in the operating instructions or as marked on the appliance. Do not overload wall outlet.
13. Wall and Ceiling Mounting - The appliance should be mounted to a wall or ceiling only as recommended by the manufacturer.
14. Object and Liquid Entry - Care should be taken so that objects do not fall and liquids are not spilled into the enclosure through openings.
15. Refer all servicing to qualified service personnel. Servicing is required when the apparatus has been damaged in any way, such as power-supply cord or plug is damaged, liquid has been spilled or objects have fallen into the apparatus, the apparatus has been exposed to rain or moisture, does not operate normally, or has been dropped.
16. Servicing - The user should not attempt to service the appliance beyond that described in the operating instructions. All other servicing should be referred to qualified service personnel.



COMPLIANCE WITH FCC REGULATIONS

This device complies with Part 15 of the FCC Rules. Operation is subject to the following two conditions:

- (1) this device may not cause harmful interference, and
- (2) this device must accept any interference received, including interference that may cause undesired operation.

NOTE : This equipment has been tested and found to comply with the limits for a Class B digital device, pursuant to Part 15 of the FCC Rules. These limits are designed to provide reasonable protection against harmful interference in a residential installation. This equipment generates, uses and can radiate radio frequency energy and, if not installed and used in accordance with the instructions, may cause harmful interference to radio communications. However, there is no guarantee that interference will not occur in a particular installation. If this equipment does cause harmful interference to radio or television reception, which can be determined by turning the equipment off and on, the user is encouraged to try to correct the interference by one or more of the following measures:

- Reorient or relocate the receiving antenna.
- Increase the separation between the equipment and receiver.
- Connect the equipment into an outlet on a circuit different from that to which the receiver is connected.
- Consult the dealer or an experienced radio/TV technician for help.

CAUTION: Changes or modifications not expressly approved by the party responsible for compliance could void the user's authority to operate the equipment.

CAUTION ON SPLASH RESISTANT:

This unit has been constructed to resist mild steam and light splashes from the shower or bath only. It should not be operated under running water and under no circumstances should it be fully immersed in water.

PRODUCT FEATURES

JiSS-85 is a shower radio with docking for iPod which incorporates the following features:

- iPod, iPod mini, iPod 1st to 3rd Gen nano, iPod classic and iPod touch Player / Recharger
- 2 Band Radio Receiver AM/FM band
- Build-in auxiliary cable to play music from MP3 Player
- LCD display for Digital Clock
- Stereo Headphones Jack for private listening

INSTALLATION

Clock Battery Installation

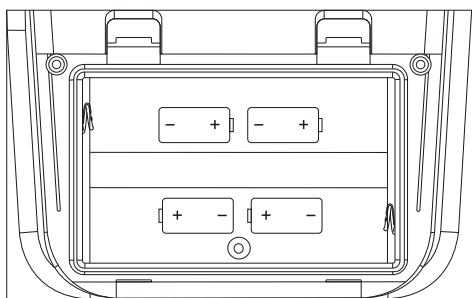
1. Open the front iPod docking COMPARTMENT DOOR.
2. Lift up the clock battery cover.
3. Remove the plastic battery insulation tab to activate the 1.5V (G13), button cell (included).
4. Replace the clock battery (G13) when the clock display becomes dim.

Main Batteries Installation

1. Open the battery compartment door located at the bottom of the unit.
2. Install 4 x DC1.5V 'C' (UM-2) batteries (not included) in the battery compartment following the polarity markings shown on it. Alkaline batteries are recommended.
3. Replace the battery door on the battery compartment.

NOTE:

1. In order to operate the unit on battery power the DC plug must be disconnected from the DC socket on the back cabinet.



WARNING:

- Be sure that the batteries are installed correctly. Wrong polarity may damage the unit.
- Do not mix old and new batteries.
- Do not mix alkaline, standard (carbon-zinc) or rechargeable (nickel-cadmium) batteries.
- Only batteries of the same or equivalent type as recommend are to be used.
- If the unit is not to be used for an extended period of time, remove the battery.
- Do not dispose of batteries in fire, batteries may explode or leak.

INSTALLATION

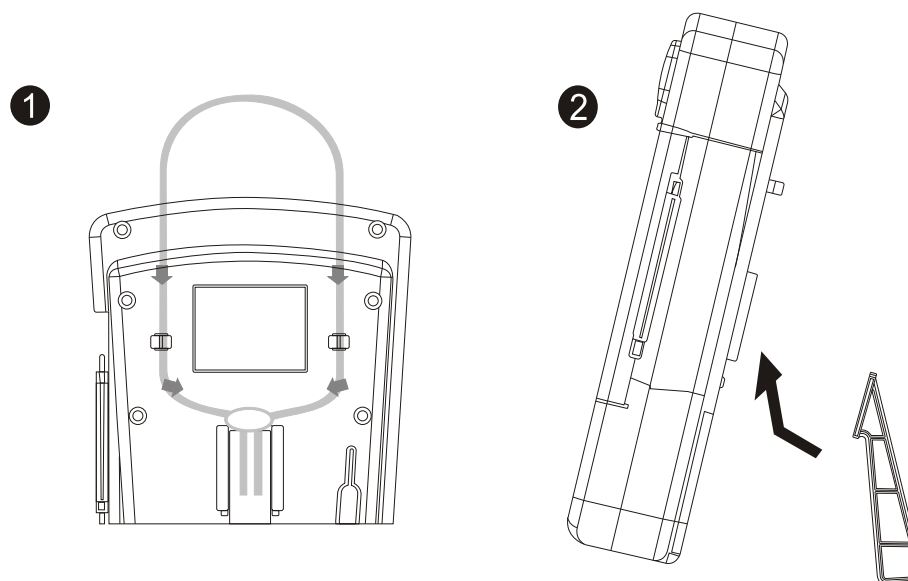
AC Adaptor Connection

This unit may also be used with the included AC adaptor. You can charge your iPod only when using the AC adaptor.

1. Firmly insert the DC plug of the adaptor (included) into the DC Jack on the back of the unit.
2. Plug the adaptor's AC plug into your household AC power outlet (120VAC/60Hz). When the AC adaptor is connected to the DC Jack the batteries are automatically disconnected.

Warning: To avoid the risk of electric shock, batteries should only be used when operating the unit in the bathroom or shower. Never use the AC adaptor when operating this unit near water.

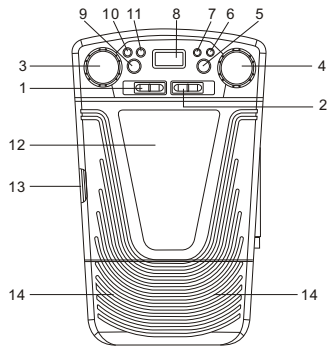
Mounting



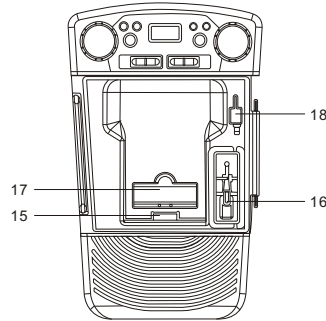
1. Use the rope provided for hanging of the unit.
2. The detachable stand (included) can be used for desktop application.

LOCATION OF CONTROLS

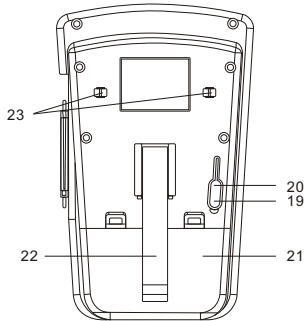
Front View (Door Close)



Front View (Door Open)



Rear View



- 1. FUNCTION SELECTOR:** POWER OFF; Select iPod/ RADIO/AUX modes.
- 2. AM/FM RADIO BAND SELECTOR:** Select between FM STEREO/FM (mono)/AM.
- 3. VOLUME DIAL:** Adjust the volume level up or down.
- 4. TUNING DIAL:** Adjust the radio channel frequency up or down.
- 5. iPod PLAY/PAUSE ►||| BUTTON**
- 6. iPod SKIP/ SEARCH FORWARD ►► BUTTON**
- 7. iPod SKIP/ SEARCH BACKWARD ◄◄ BUTTON**
- 8. LCD DISPLAY**
- 9. TIME SET BUTTON:** Select clock setting mode.
- 10. HOUR BUTTON:** Set hour value of clock.
- 11. MIN BUTTON:** Set minute value of clock.
- 12. iPod DOCKING COMPARTMENT**
- 13. COMPARTMENT DOOR LOCK**
- 14. SPEAKERS**
- 15. iPod DOCKING CONNECTOR**
- 16. AUX IN ----** An Audio Cable with a 3.5mm stereo plug for the connection of external audio device.
- 17. FOLDING PLATFORM ----** A sitting platform for the external audio device.
- 18. CLOCK BATTERY COMPARTMENT**
- 19. DC JACK ----** To connect to external DC power supply.
- 20. STEREO HEADPHONES JACK**
- 21. MAIN BATTERY COMPARTMENT ----** To install main batteries for the Radio/ Speaker operation.
- 22. DETACHABLE STAND ----** A plastic stand for the desk top sitting.
- 23. ROPE HOLDER ----** For attaching hanger rope.

RADIO OPERATIONS

1. Slide the **FUNCTION** selector to Radiomode.
2. Slide the **AM/FM BAND** selector to select desired radio band.
3. Rotate the **TUNING** dial until the desired broadcasting is received.
4. Rotate the **VOLUME** dial to adjust the sound level.

REMINDER :

Make sure the **FUNCTION** selector at OFF position when the radio is not in use.

TIPS FOR THE BEST RECEPTION :

To obtain the best AM/FM reception, slightly rotate the unit until the clearest signal is received or place it near outdoor.

NOTE :

- (1) When weak FM radio signal is received, the unit will automatically switch to FM mono mode even if the **BAND** selector is set at the FM stereo position.
- (2) The iPod may cause interference to the AM reception if it is docked and turned ON. You should turn off the iPod manually or remove it from the unit for better reception.
- (3) Due to the use of high efficiency AC adaptor in this product, it may cause some interference to AM radio. We strongly recommend you use battery when listening to AM.

IPOD® DOCKING

1. Release the **iPod DOCKING COMPARTMENT DOOR LOCK**.
2. Open the compartment door.
3. Insert your iPod with its connector faced downward and directly over the dock connector inside the compartment.
CAUTION : Please be careful when seating the iPod into the docking to avoid damaging the 30-pin connector on iPod or the docking system.
4. Close and lock the compartment door.
5. Slide the **FUNCTION** selector to iPod position. The iPod will start playing automatically.
6. Rotate the **VOLUME** dial to adjust volume to your desired level.
NOTE : The volume level cannot be adjusted by the volume of your iPod after being docked.
7. The iPod is charging even in playback state.
NOTE : The iPod recharge function operates in iPod and AUX modes when the unit is powered by external AC adaptor. When the unit is operated by the main battery alone, the iPod recharge function disabled.
8. To remove the iPod from the unit, press and hold the **PLAY/PAUSE ►|||** button for three seconds to switch off the device and then gently take the device out.

You may control the playback of your iPod by :

- Press the **PLAY/PAUSE ►|||** button to pause or resume the iPod playback.
- Press the **SKIP/SEARCH FORWARD ►►** or **BACKWARD ◄◄** button to skip to next or previous song.
- Press and hold the **SKIP/SEARCH FORWARD ►►** or **BACKWARD ◄◄** button for fast-forwarding or fast-rewinding during playback.

NOTE : To avoid water damage inside the docking compartment or water damage to your iPod, please make sure your hands are dry and you only open the docking compartment when you are not near water. It is important to tightly lock the compartment door properly before using near water.

AUXILIARY INPUT

The auxiliary input cable and plug are built in the unit and allows users to connect their MP3 player or other digital audio player to the docking system.

1. Release the **iPod DOCKING COMPARTMENT DOOR LOCK**.
2. Open the compartment door.
3. Take out the **AUX IN** stereo plug and unwire the AUX cable from the bobbin.
4. Connect the **AUX IN** stereo plug to the line-out jack or headphone jack of an external audio device.
5. Switch on the external audio device.
6. Slide the **FUNCTION** selector to AUX position.
7. Rotate the **VOLUME** dial to adjust volume level.
8. Fold down the **FOLDING PLATFORM** and sit the external audio device on the platform.
9. Close and lock the compartment door.

- NOTE:** 1. If you connect the line-out jack of your external device then you only need to adjust the volume control of this unit. If you connected the headphone jack of your external device then you may need to adjust both the volume control of your external device and the volume control of this unit to find the most desirable volume setting.
2. Slide the **FUNCTION** selector to **OFF** position turning off the unit when you finish listening. Don't forget to switch off the power of your external device as well.
 3. To avoid water damage inside the compartment or damage to your digital audio player, please make sure your hands are dry and you only open the compartment when you are not near water. Tightly lock the compartment door properly before using near water.

CLOCK SETTINGS

1. Press and hold the **TIME SET** button then press the **HOURLY** button to set hour.
2. Press and hold the **TIME SET** button then press the **MIN** button to set minute.
3. After the clock time is set, release the **TIME SET** button.

CARE AND MAINTENANCE

- Do not subject the unit to excessive force, shock, dust or extreme temperature.
- Do not tamper with the unit's internal components.
- Clean your unit with a damp (never wet) cloth. Solvents or detergents should never be used.
- Avoid leaving your unit in direct sunlight or in hot, humid or dusty places.
- Keep your unit away from heating appliances and sources of electrical noise such as fluorescent lamps or motors.

TROUBLESHOOTING GUIDE

Symptom	Possible Problem	Solution
The unit does not respond (no power)	Batteries are exhausted.	Replace the batteries.
	AC Adaptor is not plugged into a wall outlet or the connector is not plugged into the power supply jack on the back of the unit.	Plug the AC adaptor into a wall outlet and plug the connector into the supply jack on the unit.
	Wall outlet is not functioning.	Plug another device into the same outlet to confirm the outlet is working.
iPod does not dock properly	iPod does not install properly.	Remove your iPod from the dock and check for obstruction on the connectors in the dock and on your iPod. Then reseat it in the dock.
iPod does not respond to the speaker system	iPod is not installed properly.	Remove your iPod from the dock and check for obstruction on the connectors in the dock and on your iPod. Then reseat it on the dock.
	Your iPod is locked up.	Please make sure that your iPod is working properly before docking into the unit. Please refer to your iPod manual for details.
iPod does not charge up	Unit is powered by batteries.	Use AC adaptor for iPod charging at dry location.
	iPod is not installed properly.	Remove your iPod from the dock and check for obstruction on the connectors in the dock and on your iPod. Then reseat it in the dock.
	iPod is locked up/ frozen. iPod battery has problem.	Please make sure your iPod is working properly before docking into the unit. Please refer to your iPod manual for details.
AM band is too noisy	The reception at the set location is poor.	Slightly rotate the unit for the best reception.
Sound is distorted	Volume level is set too high.	Decrease the volume.
	Sound source is distorted.	If the iPod original sound source is of poor quality, distortion and noise are easily noticed with high-power speakers. Try a different audio source such as a music CD. If you are using an external sound source like older generation of iPod, try reducing the output volume on the device itself. Also try turning bass boost OFF or change the EQ setting.
Unit gets warm after extended play at high volume	This is normal.	Turn the unit off for a period of time or lower volume.