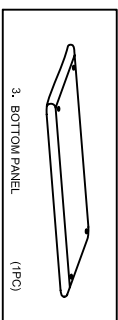
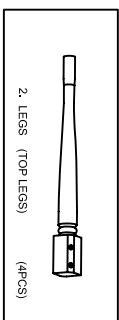
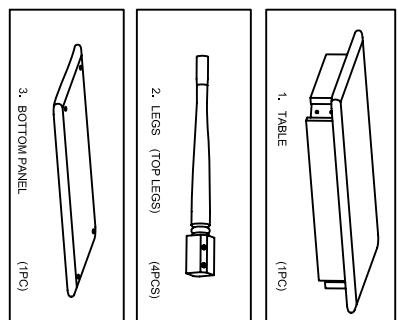
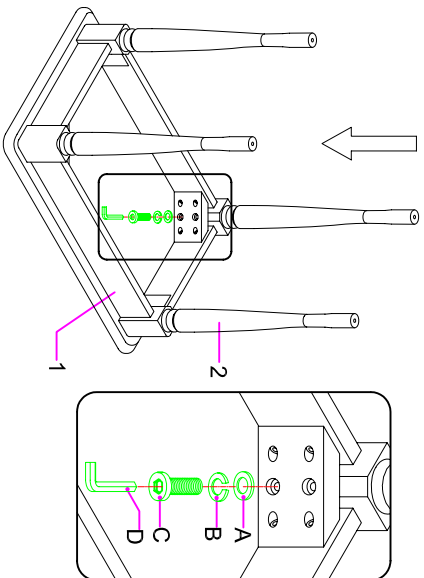
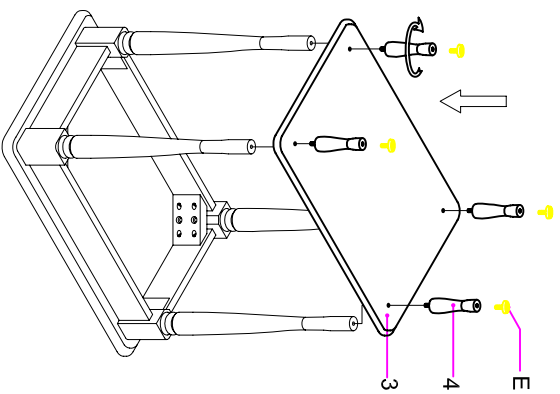


ASSEMBLY INSTRUCTION

STEP: 1



STEP: 2



HARDWARE LIST	
a	WASHER 8pcs
b	LOCK WASHER 8pcs
c	BOLT 8pcs
d	SCREW DRIVER 1pc
e	RUBBER FOOT WITH SCREW 4pcs

