



**HELLO KITTY®**

© 1976, 2012 SANRIO CO., LTD.

## COMPACT DISC + GRAPHICS KARAOKE SYSTEM



**USER MANUAL**  
**KT2007**

**CAUTION:** Electrically Operated Product - Please use care when plugging AC Adaptor into AC outlet.

## COMPLIANCE WITH FCC REGULATIONS

This device complies with Part 15 of the FCC Rules. Operation is subject to the following two conditions:

- (1) This device may not cause harmful interference, and
- (2) This device must accept any interference received, including interference that may cause undesired operation.

This equipment has been tested and found to comply with the limits for a class B digital device, pursuant to Part 15 of the FCC Rules. These limits are designed to provide reasonable protection against harmful interference in a residential installation. This equipment generates, uses and can radiate radio frequency energy and, if not installed and used in accordance with the instructions, may cause harmful interference to radio communications. However, there is no guarantee that interference will not occur in a particular installation. If this equipment does cause harmful interference to radio or television reception, which can be determined by turning the equipment off and on, the user is encouraged to try to correct the interference by one or more of the following measures:

- Reorient or relocate the receiving antenna.
- Increase the separation between the equipment and receiver.
- Connect the equipment into an outlet on a circuit different from that to which the receiver is connected.
- Consult the dealer or an experienced radio/TV technician for help.

**CAUTION** : Changes or modifications not expressly approved by the party responsible for compliance could void the user's authority to operate the equipment.

# CAUTION

## CLASS 1 LASER PRODUCT

CLASS 1 LASER PRODUCT  
APPAREIL LASER DE CLASSE 1  
PRODUCTO LASER DE CLASE 1

CAUTION  
INVISIBLE LASER RADIATION  
WHEN OPEN AND INTERLOCKS  
DEFEATED.  
AVOID EXPOSURE TO BEAM



This product contains a low power laser device.

Follow the advice below for safe operations.

### ON PROTECTION AGAINST LASER ENERGY EXPOSURE

- As the laser beam used in this compact disc player is harmful to the eyes, do not attempt to disassemble the casing.
- Stop operation immediately if any liquid or solid object should fall into the cabinet.
- Do not touch the lens or poke at it. If you do, you may damage the lens and the player may not operate properly.
- Do not put anything in the safety slot. If you do, the laser diode will be "ON" when the CD door is still open.
- If the unit is not to be used for a long period of time, make sure that all power sources are disconnected from the unit. Remove all batteries from the battery compartment, and unplug the AC cord from the wall outlet. Make it a practice to remove the AC cord by grasping the main body and not by pulling the cord.
- This unit employs a laser. The use of controls or adjustment or performance of procedures other than those specified here may result in exposure to hazardous radiation.

### ON PLACEMENT

- Do not use the unit in places which are extremely hot, cold, dusty or humid.
- Place the unit on a flat and even surface.
- Do not restrict the air flow of the unit by placing it in a place with poor ventilation, by covering it with a cloth or by placing it on a carpet.

### ON CONDENSATION

- When left in a heated room where it is warm and damp, water droplets or condensation may form inside the unit.
- When there is condensation inside the unit, the unit may not function normally.
- Let it stand for 1 to 2 hours before turning the power on, or gradually heat the room up and dry the unit before use.

Should any trouble occur, remove the power source and refer servicing to qualified personnel.

## **PROTECT YOUR FURNITURE!!**

This system is equipped with non-skid rubber 'feet' to prevent the product from moving when you operate the controls. These 'feet' are made from non-migrating rubber material specially formulated to avoid leaving any marks or stains on your furniture. However certain types of oil based furniture polishes, wood preservatives, or cleaning sprays may cause the rubber 'feet' to soften, and leave marks or a rubber residue on the furniture.

To prevent any damage to your furniture we strongly recommend that you purchase small self-adhesive felt pads, available at hardware stores and home improvement centers everywhere, and apply these pads to the bottom of the rubber 'feet' before you place the product on fine wooden furniture.

## **GLOSSARY OF KARAOKE**

In addition to all of the terminology associated with consumer electronics products, a few additional terms are used almost exclusively in karaoke. These terms are meant to familiarize you with the world of karaoke. The features listed below may not necessarily apply to the particular model that you have. Following are some brief explanations:

### **Echo:**

Echo adds depth and resonance to a singer's voice, without affecting the music. This echo is produced by creating minor controlled feedback in the singer's voice.

### **CDGMs (Compact Disc Plus Graphics Multiplex):**

They are CD's that contain songs that include the lead singer's voice, which can be removed with a karaoke system that has a balance or multiplex control. The idea is to sing along with the lead singer or replace the lead singer's voice with yours. Background vocals and backup singers are provided.

### **Automatic Voice Cancel (AVC):**

When the AVC function is activated, the vocals on a multiplex recording are eliminated as soon as the singer begins singing into the microphone. When the singer stops singing, the vocals on the multiplex recording are automatically re-activated. This useful function is used primarily during practice sessions while a singer is learning a song. Please note that the AVC function only works with multiplex recordings and not with standard audio recordings.

### **CD+G:**

This is an acronym for Compact Disc plus Graphics. You will also see variations CD+G, and CD+ Graphics. This is a regular CD with information stored on a data track simultaneous to music. CDG has a video output for simple graphics (not full motion video). In the case of karaoke, the graphics function is used to store song lyrics, and display the lyrics in sync with music. In most cases, CDG software displayed lyrics change color as they are to be sung. A regular television with a Video In RCA Jack is all that required to display CDG lyrics.

## INTRODUCTION

Your Compact Disc + Graphics Karaoke System will provide you with many years of fun and entertainment. It can let you be the "star" as you sing along with your favorite karaoke discs and hear your voice with the music through the system's speakers.

This Karaoke System has a compact design and is full of features yet it is easy to use. Just a few simple instructions and you will become an expert.

Before you use your unit, please glance through this manual to familiarize yourself with all the features available and the sections of the manual that describe their operation. Next go to the section for the specific operation you wish to perform.

For your easy reference, listed here are some of the main features of this Karaoke System.

**Lyrics on TV screen** - displays the lyrics with the tempo of music when playing CD+G discs.

**Automatic Voice Control** - lets you replace the original singer's voice with your own voice when any pre-recorded multiplex karaoke disc is played. To activate, just rotate the Mic Volume to a comfortable listening level and Auto Voice Control for the best balance between playback and microphone levels.

**Balance Control** - lets you adjust the balance between the pre-recorded original singer's voice and the music if you use a multiplex karaoke disc.

**Echo Control** - lets you add an echo to enrich your voice for a concert hall effect.

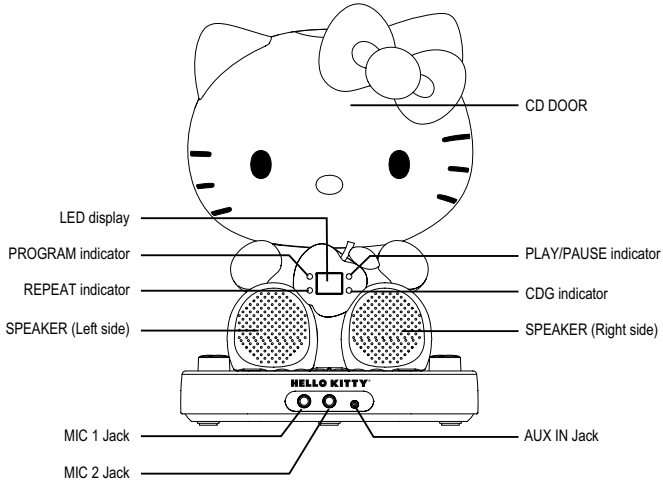
**Built-in Speakers** - lets you share the music with your family or friends.

**Audio Out Jacks** - lets you connect another audio output component, such as an equalizer/booster or a PA system.

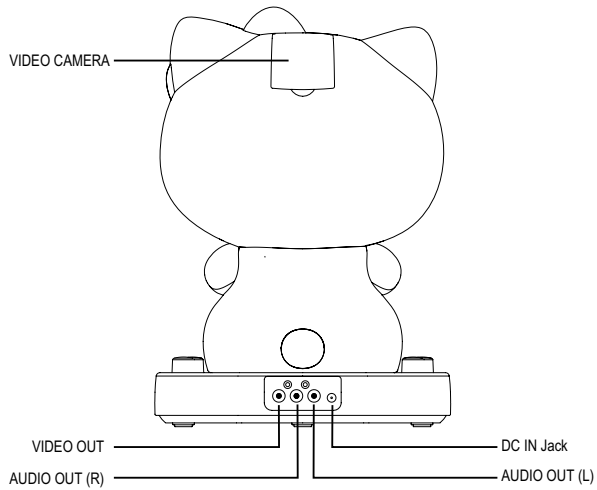
**Video Out Jacks** - lets you connect to your TV for displaying the lyrics.

# CONTROL LOCATIONS

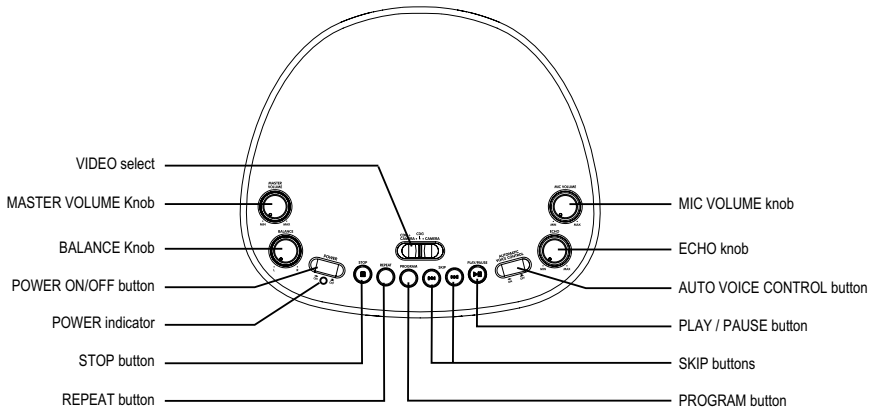
## FRONT VIEW



## BACK VIEW



## CONTROL Panel

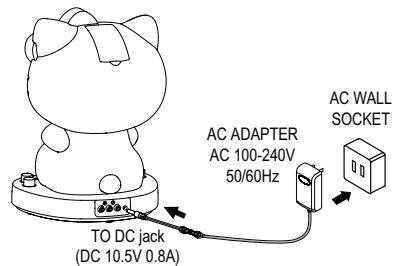


## **MAIN OPERATION**

### Connecting Power

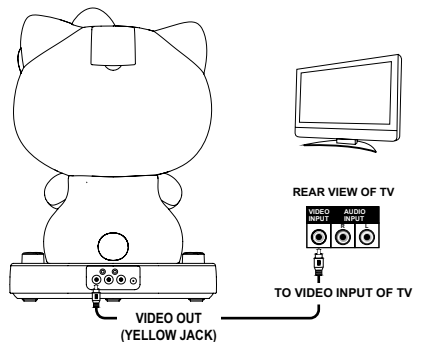
Plug the supplied AC adapter into the DC jack on the side of the unit and connect to a standard AC wall socket.

**Note:** When the unit is not operated for long periods of time, unplug the AC adapter from the unit and wall outlet.



### Connecting to your TV

The karaoke system provides a patch cord to give you the option of connecting your unit to an external audio/video device. The patch cord has three RCA jacks at each end. White and Red are for left and right audio connections and the Yellow is for video. Modern flat panel digital TV sets and home music systems are usually equipped with corresponding color-coded RCA jacks to assist correct connections. Make sure that you have a CD+G disc in the karaoke system playing when you are making this connection. You will know you have the proper settings on your TV as soon as you see the lyrics on the screen.



### Video connection

Please follow the steps below to display CD+G lyrics on the TV screen:

- (1) Locate the color-coded patch cords.
- (2) Connect video cable (Yellow) to the VIDEO OUT on the back of the karaoke system.
- (3) Connect the other end of the video cable (Yellow) to the VIDEO/AV INPUT on your TV.

If your television does not have the required Video Input, you will need a RF modulator (Radio Frequency Modulator), which connects through your TV Antenna or cable line and serves as your Video Input.

The RF Modulator can be purchased at almost any consumer electronics retailer. If you are connecting the video from the karaoke system to a television video input jack, you must specify the source the TV is to display. Your TV user guide can tell you how to display the video signal from the 'Video In' jack.

If you don't have the manual for your TV we suggest calling the TV manufacturer's customer service department. Only the manufacturer will be able to tell you accurately how to configure your TV to display the video signal coming from the 'Video Input' jack.

**Note:** Some projection TV sets do not properly display the standard blue background used on most CDGs. If the background color is inconsistent or flashing, please try connecting your karaoke system to a standard CRT/LCD television.

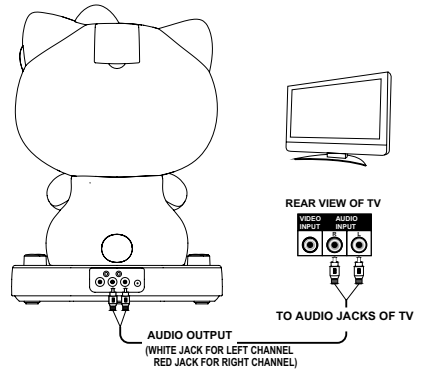
### Common ways to configure your TV

- Your karaoke system is designed to connect to your TV. The karaoke system is constantly sending the video and audio signals to the 'VIDEO OUT' and 'AUDIO OUT' jacks whenever you play a CD+G disc. So, load a CD+G into your karaoke system before you start making these connections. You will see lyrics on the TV screen as soon as you have completed the setup correctly.
- The setup of your TV is the most difficult part of making the connection for displaying your lyrics. In most homes, the TV has either a cable connected or antenna in use. Once you connect your karaoke system to the TV, you must 'tell' your TV to display the input from the karaoke system instead of the usual input from the cable or antenna.
- Check your TV user manual for the easiest way to setup your particular entertainment system. If you don't have your manual you can always call your TV manufacturer for that information or try their website for online assistance. We've listed below the most common ways of setting up a TV:
  - (1) In the setup menu for configuring the TV there may be an 'Input Selection' option where you may choose between 'Cable/Ant.', 'Video 1', or 'Video 2' etc. as the input source.
  - (2) Try looking for a 'Video' channel between the highest channel and the lowest channel on your TV (i.e. Between 99 and 2 may be 'VIDEO' or 'INPUT')
  - (3) Look for a button on the remote control for the TV you are connecting to that says 'VIDEO', 'VIDEO 1', 'AUX', 'EXT', 'LINE 1. The 'LINE-IN' button will display the Video input source.



## Audio connection

Connect the unit to your TV or home stereo system using the White and Red connections on the supplied patch cord. Plug the white end of the patch cord into the white AUDIO OUT jack on the unit. Plug the red end of the patch cord into the red AUDIO OUT jack on unit. Now connect the other end of the cable's white (left channel) and red (right channel) plugs to your TV or home stereo system's 'AUDIO IN' or 'AUX IN' jacks.


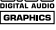


## CD OR CD+G OPERATION

**WARNING** - Tapping or dropping the microphone while it is on can permanently damage your microphone. Do not swing the microphone around by the cord.

### ABOUT THE CD-R/CD-RW DISCS

This unit is CD-R/CD-RW compatible but playback capability may vary depending on the quality of the disc, the recording device and application software.

**NOTE:** This unit is designed to play CDs bearing the identification logo  or . If CDs do not conform to the CD standard, they may not play properly.

### CD or CD+G OPERATION

- Do not press the door of the CD compartment while it is playing.
- Never place anything except a compact disc in the disc tray. Foreign objects can damage the unit.
- Do not apply excessive force to disc cover.
- Only place one disc in the tray at a time.

### TURNING POWER ON/OFF

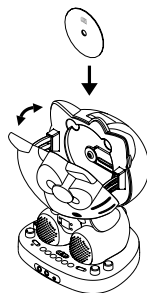
- (1) Press the POWER button switch on the Karaoke system, the POWER indicator will light up.
- (2) Press the POWER button again to switch off the system, the POWER indicator will be off.

### VIDEO SELECT

Set the VIDEO select to CDG.

## LOADING A DISC

- (1) Grip the specific points on the CD Door where indicated by the removable label and pull gently to open it.
- (2) Load a disc into the compartment with the printed side facing you.
- (3) Gently close the CD DOOR. The karaoke system begins to read the disc. The LED display will display the total number of tracks.
- (4) Press PLAY/PAUSE button to play CD. (If no disc is loaded, "--" will be displayed).



## PLAY/PAUSE MODE

- (1) To start playing, press the PLAY/PAUSE ►|| button once, the first track [1] will be displayed and the PLAY/PAUSE indicator will light. (If a CD+G disc is detected, the CDG indicator will also turn on).
- (2) To temporarily stop playing, press the PLAY/PAUSE ►|| button, the PLAY/PAUSE indicator will flash.
- (3) To resume play, press PLAY/PAUSE ►|| button again.

## STOP MODE

If the STOP ■ button is pressed in the course of playing, the disc will cease to play. The total number of tracks will be shown on the LED display.

## SKIP PLAY (For both CD and CD+G discs)

- (1) In stop mode, you can skip up or down to a specific track number by pressing the forward or back SKIP ►►/◄◄ button.
- (2) While the selected song track is flashing, press the PLAY/PAUSE ►|| button.
- (3) During the PLAY mode, you can skip up or down to a specific track number by pressing the forward or back SKIP ►►/◄◄ button.

## REPEAT PLAY (For CD and CD+G discs)

- (1) To repeat the current track, press the REPEAT button once. The REPEAT indicator will flash. The track will continue to play until the repeat function is turned off.
- (2) To repeat all the tracks, press the REPEAT button twice, the REPEAT indicator will light up steadily. All the tracks on the disc will be played repeatedly.
- (3) To clear the repeat function, press the REPEAT button again, the REPEAT indicator will turn off.

## PROGRAM

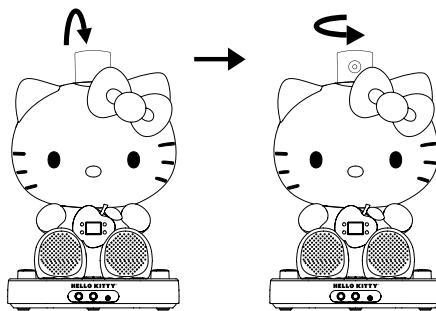
Use this button to program and play back songs in a pre-selected order.

- (1) Programming can be done in the stop mode only. Press the PROGRAM button, the PROGRAM indicator will light up.
- (2) Press the forward or back SKIP ►/◄ button to select a desired track number.
- (3) Press PROGRAM button to confirm entry. You can repeat the same step up to a maximum of 20 tracks.
- (4) Press PLAY ►|| button when you have completed programming to start playing and you are ready to start singing along.
- (5) Press STOP ■ button to clear all the programmed entries.

## MICROPHONES/ECHO/BALANCE/AVC

- (1) When either one or two Microphones are plugged into the MIC 1 jack / MIC 2 jack, their output is mixed with the playback from CD/CDG discs.
- (2) Adjust MIC VOLUME knob for best balance between playback and microphone (singing) levels.
- (3) Adjust ECHO to add depth and richness to vocals.
- (4) Adjust BALANCE for balance between the pre-recorded singer's voice and the music if you use a multiplex karaoke disc.
- (5) Press the AVC (Automatic Voice Control) button to "ON" if you want the original singer's voice to stop while you are singing. The original singer voice will resume immediately when you pause.

## CAMERA OPERATIONS



- (1) Lift camera to an upright position.
- (2) Adjust the camera position by moving it slightly up and down until the camera is pointing at a desired angle.
- (3) Make sure that the VIDEO selector is in CDG+CAMERA position so that you can see song lyrics and camera image on your TV at the same time.
- (4) If you only want to see song lyrics on your TV, you can switch VIDEO selector to CDG position.
- (5) If you switch VIDEO selector to CAMERA position, you will see only the camera image on your TV.

## PUBLIC ADDRESS

This unit can be used as a PA (Public Address system).

**NOTE:** To prevent feedback or whistling from occurring, please be sure that the microphone is not too close to unit's speakers.

- (1) Connect the supplied Microphone to either one of the MIC input jacks.
- (2) Press the POWER button switch on the Karaoke system, the POWER indicator will light.
- (3) Set the VIDEO select to CDG or CDG+CAMERA. Set the MIC VOLUME knob to about midway position.
- (4) Slide the ON/OFF switch located on the Microphone to the "ON" position and speak or sing into the Microphone. The Microphone sensitivity and loudness can be adjusted as required by turning the MIC VOLUME control and/or MASTER VOLUME control.
- (5) To turn the unit off, press the POWER button again, the POWER indicator goes off.

## USING THE AUX IN JACK

This feature allows you to listen to an external audio source through the speakers of this unit.

1. Plug a 3.5mm audio cable (not included) into the headphone jack of your MP3 or MP4 player and connect the other end (3.5mm plug) into the AUX IN jack at the front side of this unit.
2. Make sure both units are turned on.
3. Play a song on your MP3 or MP4 player.
4. Turn off both the external audio source and this unit after use.



## CONNECTING A MICROPHONE

1. Plug a microphone into the MIC 1 or MIC 2. jack at the front side of your unit. Their output is mixed with playback from the CD.
2. Slide ON/OFF switch on microphone to "ON" position.



## TROUBLESHOOTING GUIDE

If you have followed the instructions and are having difficulty operating the unit, locate the **PROBLEM** in the left column below. Check the corresponding **POSSIBLE CAUSE** column to locate and fix the problem.

PROBLEM	POSSIBLE CAUSE	SOLUTION
No power when ON/OFF button is on	AC adapter is not plugged into the AC outlet.	Insert the AC adapter into the AC outlet.
No power when plugged in	The AC outlet may not have power.	Check the outlet with a working lamp or other electrical appliance.
No sound	Master volume control is set to minimum.	Turn up the master volume.
	Volume control on TV set/PA system is set to minimum.	Turn up the volume of the TV/PA system.
	TV set/PA system power is OFF.	Turn on the power of TV/PA system.
CD PLAYER does not work normally or the LED displays “--”, “E” or “NO”	Disc is inserted upside down.	Insert disc correctly.
	Disc is dirty.	Wipe it clean with soft cloth.
	Disc is scratched.	Use a new disc.
	Disc is warped.	Use a new disc.
	A non-standard disc is inserted.	Only use discs bearing standard logo.
	Lens is dirty.	Clean the optical pickup with a CD lens cleaner.
	Moisture has formed inside the CD deck.	Wait about 20 to 30 minutes to let it dry out.
Karaoke system needs to be reset.	Disconnect the machine from power source for 30 seconds.	

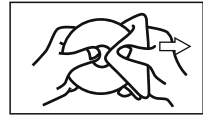
<b>PROBLEM</b>	<b>POSSIBLE CAUSE</b>	<b>SOLUTION</b>
No sound - If audio is going through TV home stereo	Source Selection on your TV home stereo is not set properly.	Select AUX IN as the source for your TV home stereo.
	Improper connection to stereo system or PA.	Follow directions on 'Audio Connection' page for connecting to a home stereo system.
No song lyrics appear on the TV screen	Video cable is not connected properly to the TV.	Connect the video cable to the VIDEO OUT of the unit and to the TV VIDEO IN jacks.
	Source selector on TV is not set to VIDEO or AV IN.	Use your TV Remote to select VIDEO or AV input.
	TV does not have video line input.	Connect from VIDEO OUT of the unit to a RF modulator and then to the TV cable input.
	A CD+G disc is loaded but the CDG indicator is not lit.	Check the disc to be sure it is a CDG. Check disc to ensure it is clean.
Cannot sing through the mic.	Mic volume control.	Adjust MIC and MASTER volume level controls to appropriate levels.
	Mic is off.	Turn on mic with the ON/ OFF switch located on the microphone.
	Mic is not properly plugged in.	Insert the mic plug into either MIC 1 or MIC 2 jack of the unit properly.

## CARE AND MAINTENANCE


- (1) Clean your unit with a damp (never wet) cloth. Solvent or detergent should never be used.
- (2) Avoid leaving your unit in hot, humid or dusty places.
- (3) Keep your unit away from heating appliances and sources of electrical noise such as fluorescent lamps or motors.

### HANDLING CD DISCS

- Fingerprints and dust should be carefully wiped off with a soft cloth. Wipe in a straight motion from the center of the disc to the outside edge.
- Never use chemicals, such as record cleaning sprays, antistatic sprays or fluids, benzene or thinner to clean compact discs. These chemicals will permanently damage the plastic surface of the disc.
- Always place the compact disc on the disc tray with the label facing upward. Compact discs can be played on only one side.
- To remove a disc from its storage case, press down on the center of the case and lift the disc out, holding it carefully by the edges.
- Discs should be returned to their cases after use to protect them from dust and scratches.
- To prevent warping the disc, do not expose it to direct sunlight, high humidity or high temperature for extended periods of time.
- Do not apply adhesive labels or write anything on either side of the disc. The inks used in some felt-tips pens may damage the surfaces of the disc.
- If drop-outs or interruptions occur in the music during CD play, or if the CD fails to play at all, its bottom surface may require cleaning. Before playing, wipe the disc from the center outwards with a good soft cleaning cloth.



## SPECIFICATIONS

Power Output.....	1.5 W + 1.5W (RMS) @10% THD
Speaker .....	8 Ohms , 2.25 inch diameter
DC input.....	10.5V  0.8A 8.4W
AC Adapter input.....	100-240V~ 50/60Hz

## 90 DAY LIMITED WARRANTY AND SERVICE VALID IN THE U.S.A. ONLY

SPECTRA MERCHANDISING INTERNATIONAL, INC. warrants this unit to be free from defective materials or factory workmanship for a period of 90 days from the date of original customer purchase and provided the product is utilized within the U.S.A. This warranty is not assignable or transferable. Our obligation under this warranty is the repair or replacement of the defective unit or any part thereof, except batteries, when it is returned to the SPECTRA Service Department, accompanied by proof of the date of original consumer purchase, such as a duplicate copy of a sales receipt.

You must pay all shipping charges required to ship the product to SPECTRA for warranty service. If the product is repaired or replaced under warranty, the return charges will be at SPECTRA's expense. There are no other express warranties other than those stated herein.

This warranty is valid only in accordance with the conditions set forth below:

1. The warranty applies to the SPECTRA product only while:
  - a. It remains in the possession of the original purchaser and proof of purchase is demonstrated.
  - b. It has not been subjected to accident, misuse, abuse, improper service, usage outside the descriptions and warnings covered within the user manual or non-SPECTRA approved modifications.
  - c. Claims are made within the warranty period.
2. This warranty does not cover damage or equipment failure caused by electrical wiring not in compliance with electrical codes or SPECTRA user manual specifications, or failure to provide reasonable care and necessary maintenance as outlined in the user manual.
3. Warranty of all SPECTRA products applies to residential use only and is void when products are used in a nonresidential environment or installed outside the United States.

This warranty gives you specific legal rights, and you may also have other rights which vary from state to state. TO OBTAIN SERVICE please remove all batteries (if any) and pack the unit carefully and send it freight prepaid to SPECTRA at the address shown below. IF THE UNIT IS RETURNED WITHIN THE WARRANTY PERIOD shown above, please include a proof of purchase (dated cash register receipt) so that we may establish your eligibility for warranty service and repair of the unit without cost. Also include a note with a description explaining how the unit is defective. A customer service representative may need to contact you regarding the status of your repair, so please include your name, address, phone number and email address to expedite the process.

IF THE UNIT IS OUTSIDE THE WARRANTY PERIOD, please include a check for \$50.00 to cover the cost of repair, handling and return postage. All out of warranty returns must be sent prepaid.

It is recommended that you contact SPECTRA first at 1-800-777-5331 or by email at [custserv@spectraintrl.com](mailto:custserv@spectraintrl.com) for updated information on the unit requiring service. In some cases the model you have may be discontinued, and SPECTRA reserves the right to offer alternative options for repair or replacement.

SPECTRA MERCHANDISING INTERNATIONAL, INC.  
4230 North Normandy Avenue,  
Chicago, IL60634, USA.  
1-800-777-5331

To register your product, visit the link below to enter your information.  
<http://www.spectraintrl.com/wform.htm>